

SERVER

• E S S E N T I A L S •

ConserveWell® Utensil Holder Wall-Mount Models | Export

SPECIFICATION SHEET

FAST FACTS

ConserveWell® Wall-Mount Utensil Holders are an environmentally friendly method of rinsing and protecting utensils against bacteria growth versus traditional dipper wells; one unit can save over 946,000-Liters of water per year.

APPLICATIONS

- Replace a traditional dipper well perpetual-flow sink to save water, energy and money
- Mount next to a serving station to keep short-handled utensils clean and handy

DETAILS

- Holds serving utensils above 60° C, keeping them safe against bacteria growth; includes (2) 1/9-size, 100-mm pans
- Programmable countdown timer helps ensure timely water changeouts; also available without timer
- Ideal for utensils with a handle that will not intensify heat - DO NOT use utensils with liquid or gel-filled handles
- Convenient key slot mounting brackets make mounting to a wall or sturdy vertical surface quick and easy
- Great for blended ice cream treats (non-gel-filled dishers)
- Replacing a dipper well? See our [drop-in models](#)



CW (w/timer)
87948 AUST
87947 EURO
87949 UK



CW
87945 AUST
87944 EURO
87946 UK



"Frisch's Big Boy Restaurants in OH, KY and IN will now save 7.8 million gallons of water per year thanks to the installation of two

ConserveWell® units per store."

Jason Vaughn, Frisch's Big Boy Restaurants

SEE THE COMPLETE STORY:

PRODUCT
VIDEO



APPLICATION
GUIDE



ROI
CALCULATOR



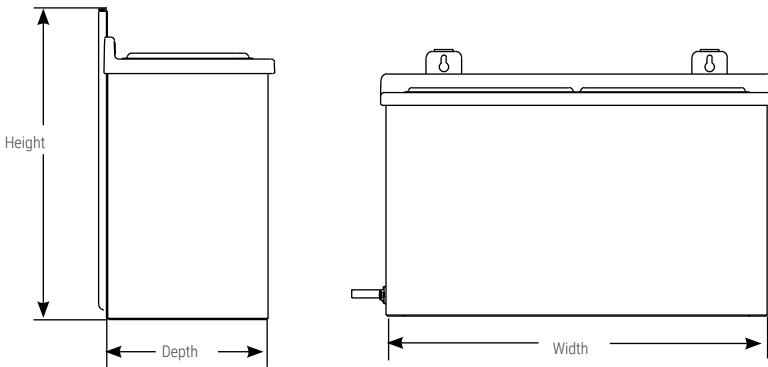
CUSTOMER
TESTIMONIAL



Save water, energy and money.

CONSERVEWELL® UTENSIL HOLDER WALL-MOUNT MODELS

Server ConserveWell® Utensil Holder is designed to hold utensils above 60° C as an alternative to a perpetual-flow dipper well. Unit comes with (2) stainless steel 1/9-size pans 100-mm deep (90106) and is mountable to a wall or sturdy vertical surface using key slot holes on back plate. Models available with and without adjustable countdown timer. Timer model has an LED display and a volume adjustable alarm for water changeout notifications. When changing out water, be sure to fill each plan with 0.7-L warm tap water. For use with plastic handled utensils and non-gel-filled dishes. NEMA 5-15P plug with 182- or 274-cm power cord. 2-Year warranty.



UTENSIL HOLDER

| order amt | model/item | plug | description | capacity | dims (H x W x D) | electrical | watts | weight |
|--------------------------|-------------------------------|--------------------|-----------------------------|---------------------------------------|-----------------------|-------------------|-------|--------|
| <input type="checkbox"/> | CW 87948 87947 87949 | AUST EURO UK | wall-mount with timer | (2) 1/9-size pans (90106) included | 27 x 38.7 x 13.3 cm | 230 V AC 3.3 A | 400 | 6.8 kg |
| <input type="checkbox"/> | CW 87945 87944 87946 | AUST EURO UK | wall-mount without timer | | 18.6 x 38.7 x 13.3 cm | | | 5.4 kg |

CLEAN HAS NEVER BEEN MORE GREEN WITH CONSERVEWELL®
SERVER-PRODUCTS.COM | 1.262.628.5600