

SERVER

• E S S E N T I A L S •

Specialty Warmer ConserveWell® Utensil Holder

SPECIFICATION SHEET

FAST FACTS

ConserveWell® Drop-In Utensil Holders are an environmentally friendly method of rinsing and protecting utensils against bacteria growth versus traditional dipper wells; one unit can save over 250,000 gallons of water per year.

APPLICATIONS

- Replace a traditional dipper well perpetual-flow sink to save water, energy and money
- Drop into a serving station to keep short-handled utensils clean and handy

DETAILS

- Holds serving utensils above 140° F, keeping them safe against bacteria growth; includes (1) stainless steel inset
- Drops into most existing counter cut-outs for perpetual flow dipper wells
- Ideal for utensils with a handle that will not intensify heat – DO NOT use utensils with liquid or gel-filled handles
- Available with a timer, which helps to ensure timely water change outs, or without
- Features a cool-touch material for easy handling
- Great for blended ice cream treats (non-gel-filled dishes)
- See the [wall-mount models](#) for additional options



CW-DI 87770
(w/timer)



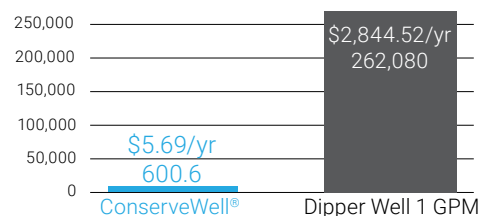
CW-DI 87760



“The ConserveWell® units make sense on two levels; they save money on water and they will reduce maintenance costs because we won't have to deal with clogged drains.”

Tim Reilley, Frisch's Big Boy Restaurants

GALLONS PER YEAR*



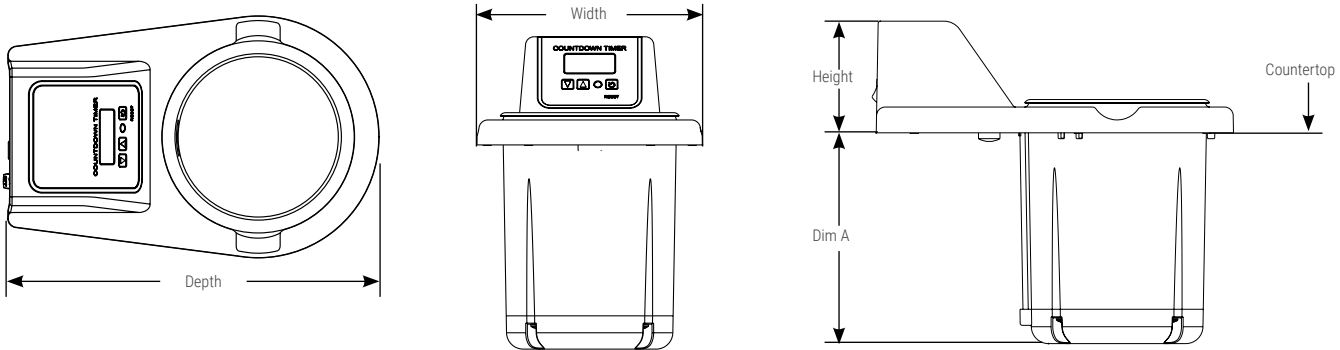
Check the facts with our [ROI Calculator](#).

*52 weeks at 7 days per week at 12 hours per day.
Average water and sewer rate of \$9.48 per 1,000 gal.

When it drains it pours. Start saving water.

CONSERVEWELL® UTENSIL HOLDER DROP-IN MODELS: CW-DI

Server ConserveWell® Utensil Holder is designed to hold utensils above 140° F as an alternative to a perpetual-flow dipper well. Thermal composite housing is cool-to-touch, includes (1) stainless steel inset and is sold with or without a countdown timer. When changing out water, be sure to fill the pan with 28 oz of warm tap water, or up to the fill line. For use with plastic handled utensils and non-gel-filled dishers. NEMA 5-15P plug with 108 in power cord. 2-year warranty.



UTENSIL HOLDERS

order amt	model/item	description	capacity	dims (H x W x D)	cut out dimensions	plug	electrical	watts	weight
<input type="checkbox"/>	CW-DI 87770	drop-in with timer	28 oz	3 3/8 x 6 25/32" x 10 13/32"	fits 5 1/2" to 6 1/2" openings		120 V AC 1 A	100 W	6 lb
<input type="checkbox"/>	CW-DI 87760	drop-in without timer							

CLEAN HAS NEVER BEEN MORE GREEN WITH CONSERVEWELL® UTENSIL HOLDERS
 SERVER-PRODUCTS.COM | 800.558.8722 | 262.628.5600